

NSCS 125-315/220/L45VCC6

Tekniska data

Company name
Kontakt
Phone number
e-mail address

Operating data				
1	Pumpe type	Enkelpump	Fluid	Vatten, rent
2	Antal pumpar	1	Operating temperature at t A	°C 130
3	Nominal flow	m ³ /h 269	Max / Min Operating Temperature mech. Seal	°C 140 / -25
4	Nominal head	m 20	pH-value at t A	7
5	Static head	m 0	Density at t A	kg/m ³ 935
6	Inlet pressure	kPa 0	Kin. viscosity at t A	mm ² /s 0.212
7	Omgivningstemperatur	°C 20	Vapor pressure at t A	kPa 100
8	Available system NPSH	m 0	Altitude	0

Pump data				
9	Smörjning	42		
10	Execution	Standard Design (Type B)		
11	Konstruktion	Liggande	Impeller Ø	Max. mm 334
12	Driftvarvtal	1480 rpm		designed mm 290
		Antal steg 1		Min. mm 277
13	Suction nozzle	DN150 / PN10/16 / EN1092-2		Nominal m ³ /h 279.1
14	Discharge nozzle	DN125 / PN10/16 / EN1092-2	Flow	Max- m ³ /h 336
15	Max. casing pressure	kPa		Min- m ³ /h 45.5
16	Max. working pressure	kPa 263.3		
17	Impeller type	Radial impeller	Head	Nominal m 21.5
18	Head H(Q=0)	m 29		at Qmax m 14.5
19	Max avgiven effekt P2	kW 20.6	Shaft power	at Qmin m 28.9
20	Pump weight	kg		
21	Total weight	kg 290.9	Efficiency	% 79
			NPSH 3%	m 2.6

Materials				
22		Pump		Shaft Seal
23	Volute Casing	Cast Iron, EN 1561 - GJL-250, ASTM Class 35	Single mechanical seal, without shaft sleeve	
24	Impeller	Cast Iron, EN 1561 - GJL-200, ASTM Class 30	eHJ - Ø48mm	AQ7EGG
25	Casing Cover	Cast Iron, EN 1561 - GJL-250, ASTM Class 35	Mechanical seal diameter	48 mm
26	Shaft	Stainless steel, 1.4057, AISI 431	1. Rotating ring	Carbon graphite antimony impregnated
27	Wear ring	Stainless steel, 1.4301, AISI 304	2. Stationary ring	SiC, silicon carbide, sintered press. less
28	Impeller lock nut and washer	A4 (1.4401)	3. Secondary seal	Ethylene propylene rubber (EPDM)
29	Impeller key	Stainless steel, 1.4571, AISI 316Ti	4. Springs	CrNiMo - Steel
30	Fill and drain plugs	Galvanized carbon steel, EN 10277-3, AISI 1213 / 1215	5. Others	CrNiMo - Steel
31	Bearing bracket	Cast Iron, EN 1561 - GJL-250, ASTM Class 35	Gaskets of the pump	Ethylene propylene rubber (EPDM)
32				
33				
34				
35				
36				
37				
38				
39				
40				
41				

Motor data				
Electrical and dimensional data refer to IE3 motor				
42	Manufacturer	Lowara		
43	Utförande	IE3 3ph Flange Motor - Premium Efficiency		
44	Type	3MAS 180 L B35 22 kW		
45	Axeffekt	22 kW	Märkström	42.2 A
46	Nominellt varvtal	1470 rpm	Rated voltage	400 V
47	Storlek	180 L	Service faktor	1
48	Vikt	kg 155.9	Skyddsgrad	IP55

Remarks				
49				
50				
50				
52				

NSCS 125-315/220/L45VCC6

Performance curve

Company name
Kontakt
Phone number
e-mail address

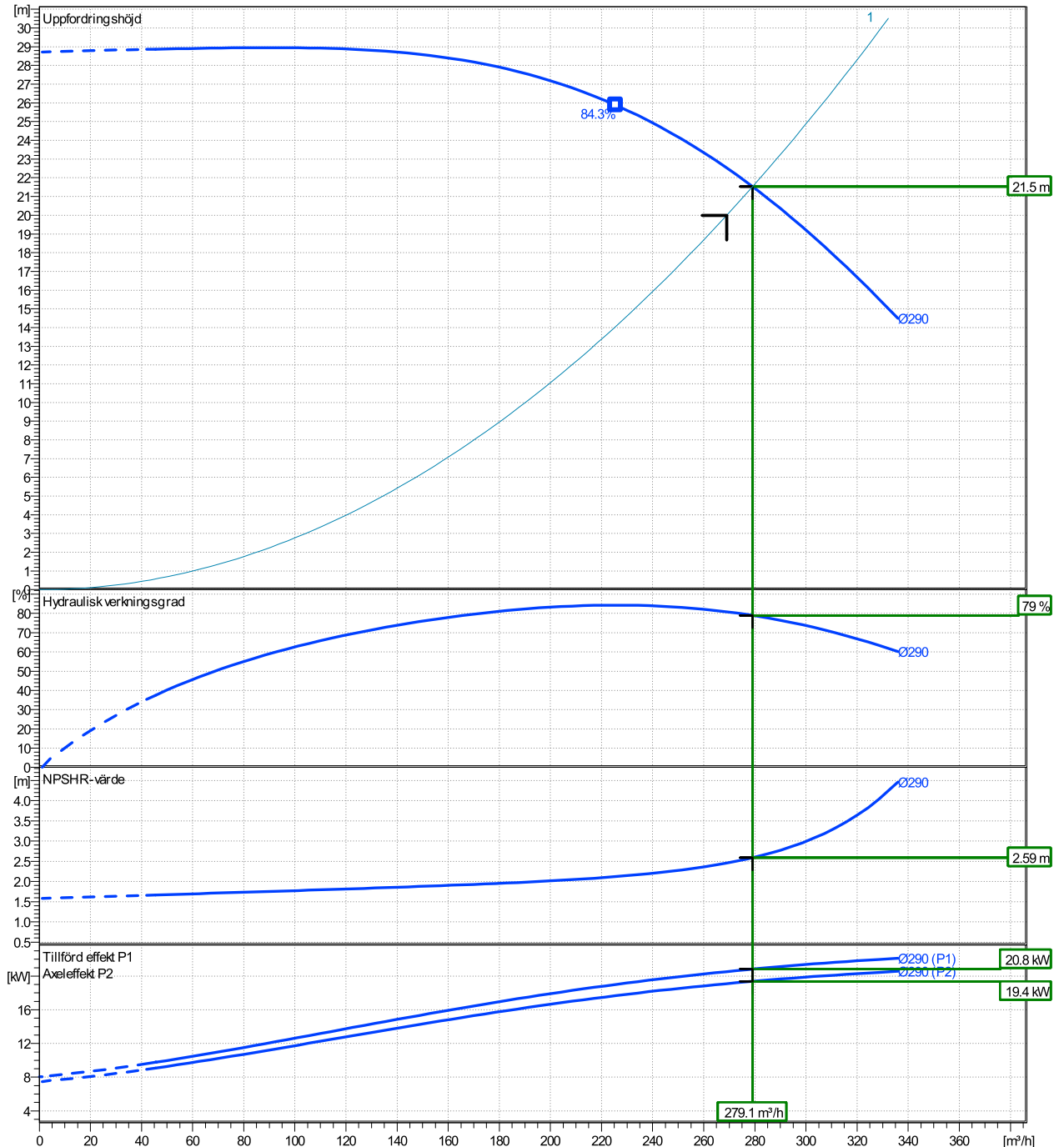
	Ø mm	Pump capacity Operating range			Pump head		Shaft power P2			Frequency	Hz	50
		Min. m³/h	Max. m³/h	η Max. m³/h	H(Q=0) m	η Max. m	P2(Q=0) kW	Max. kW	η Max. kW	Driftvarvtal rpm	1480	
actual	290	45.5	336	226	28.7	25.9		20.6	17.7	Nominal flow	m³/h	269
Min.	0	/	/	211	25.6	22.9		/	14.8	Nominal head	m	20
Max.	334	/	/	267	39	35.2		/	27.5	Inlet pressure	kPa	0
										Static head	m	0

Power datas referred to:

hydr. Performance acceptance acc. To EN ISO 9906 Class Grade 3B

Vatten, rent [100%] ; 130°C; 935kg/m³; 0.212mm²/s

MEI: >=0,70 - according to Ecodesign Directive 2009/125/EC and Regulation (EU) No.547/2012



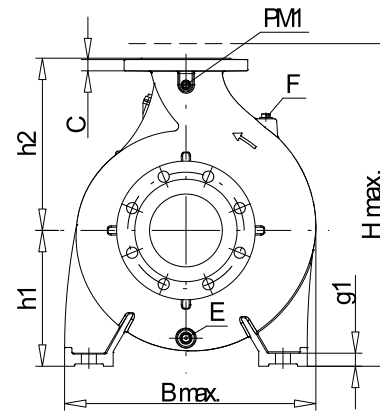
NSCS 125-315/220/L45VCC6

Dimensions

Company name
Kontakt
Phone number
e-mail address

Blockpump
Standard Design (Type B)
3MAS 180 L B35 22 kW

Electrical and dimensional data refer to IE3 motor



PM1...Pressure gauge connector
E...Drain
F...Filling



Value C, D may vary from Standard

Dimensions [mm]			
a	140	L	985
A	279	m1	200
AA	64	m2	150
AB	364	n1	500
AD	264	n2	400
b	100	P	350
B	279	PM1	1/4"
BB	324	s1	23
Bmax	518	Trim	0
CTO	0	Type	B
DNd	125	Volumen	0.324
DNs	150	w	375
E	3/8"	x	140
f	254		
F	3/8"		
g1	26		
H	180		
h1	280		
h2	355		
h3	0		
HA	22		
Hmax	635		
hs	100		
K	15		

Weight	
Total weight	290.9 kg

Connections			
Suction nozzle		Discharge nozzle	
DN150		DN125	
PN10/16		PN10/16	
EN1092-2		EN1092-2	
C	26	C	26
D	285	D	255
d1	211	d1	184
K	240	K	210
L	23	L	19
z	8	z	8

Dimensions and weight without obligation

Projekt	Xylect-20594527	Framställd av	Matias Nordblom	Senast uppdater	9/11/2024
Block	NSCS 125-315/220/L45VCC4	Skapad den	9/11/2024		