

# LNESH100-200/40/P45VCC4/4

## Tekniska data

Company name  
Kontakt  
Phone number  
e-mail address

Operating data				
1	Pumpe type	Enkelpump	Fluid	Vatten, Glykol 52%
2	Antal pumpar	1	Operating temperature t A	°C 105
3	Nominal flow	m³/h 65	Max / Min Operating Temperature mech. Seal	°C 120 / -25
4	Nominal head	m 10	pH-value at t A	7
5	Static head	m 0	Density at t A	kg/m³ 1030
6	Inlet pressure	kPa 10	Kin. viscosity at t A	mm²/s 0,3524
7	Omgivningstemperatur	°C 20	Vapor pressure at t A	kPa 87,5
8	Available system NPSH	m 0	Altitude	0

Pump data				
9	Smörjning			
10	Execution	4 poles motor		
11	Konstruktion	In-Line single head		
12	Driftvarvtal	1345,8 1/min	Antal steg	1
13	Suction nozzle	DN 100 / PN 16 / EN1092-2	Impeller Ø	Max. mm 219
14	Discharge nozzle	DN 100 / PN 16 / EN1092-2		designed mm 195
15	Max. casing pressure	kPa	Flow	Min. mm 181
16	Max. working pressure	kPa 125,2		Nominal m³/h 65
17	Impeller type	Radial impeller		Max- m³/h 128,7
18	Head H(Q=0)	m 11	Head	Min- m³/h 25,3
19	Max avgiven effekt P2	kW 2,9		Nominal m 10
20	Pump weight	kg	at Qmax m 4,6	at Qmin m 11,3
21	Total weight	kg 127,6	Shaft power	kW 2,4
			Efficiency	% 75,7
			NPSH 3%	m

Materials				
22		Pump	Shaft Seal	
23	Volute Casing	Cast iron	Single mechanical seal, without shaft sleeve	
24	Casing Cover	Cast iron	eMG12 - Ø38mm	BQ7EGG-WA
25	Impeller	Cast iron / ASTM Class 30	Mechanical seal diameter	38 mm
26	Stub shaft	Stainless steel / AISI 431	1. Rotating ring	Carbon graphite resin impregnated
27	Wear ring	Stainless steel / AISI 304	2. Stationary ring	SiC, silicon carbide, sintered press. less
28	PUMPEHJULSMUTTER	Rostfritt stål	3. Secondary seal	Ethylene propylene rubber (EPDM)
29	Impeller washer	Rostfritt stål	4. Springs	CrNiMo - Steel
30	Impeller key	Stainless steel / AISI 316Ti	5. Others	EPDM - WRAS
31	PROPP D54XH27	Stainless steel / AISI 316Ti	Gaskets of the pump	Ethylene propylene rubber (EPDM)
32	GASKET	Asbestos-free synthetic fiber AFM 34		
33				
34				
35				
36				
37				
38				
39				
40				
41				

Motor data				
Electrical and dimensional data refer to IE3 motor				
42	Manufacturer	Lowara		
43	Utförande	IE3 3ph Flange Motor - Premium Efficiency		
44	Type	PLM 112 B5 4 kW		
45	Axeleffekt	4 kW	Märkström	8,23 A
46	Nominellt varvtal	1445 1/min	Rated voltage	400 V
47	Storlek	112	Service faktor	1
48	Vikt	kg 57,2	Skyddsgrad	IP55

Remarks				
49				
50				
50				
52				

# LNESH100-200/40/P45VCC4/4

## Performance curve

Company name  
Kontakt  
Phone number  
e-mail address

	Ø mm	Pump capacity			Pump head		Shaft power P2			Frequency			
		Operating range Min. m³/h	Max. m³/h	η Max. m³/h	H(Q=0) m	η Max. m	P2(Q=0) kW	Max. kW	η Max. kW	Hz			
actual	195	25,3	129	83,3	11,3	8,9		2,86	2,66	Nominal flow	1/min	50	1346
Min.	0	/	/	79	9,58	7,2		/	2,13	Nominal head	m³/h		65
Max.	219	/	/	90,2	15	12		/	3,79	Inlet pressure	m		10
										Static head	kPa		10
											m		0

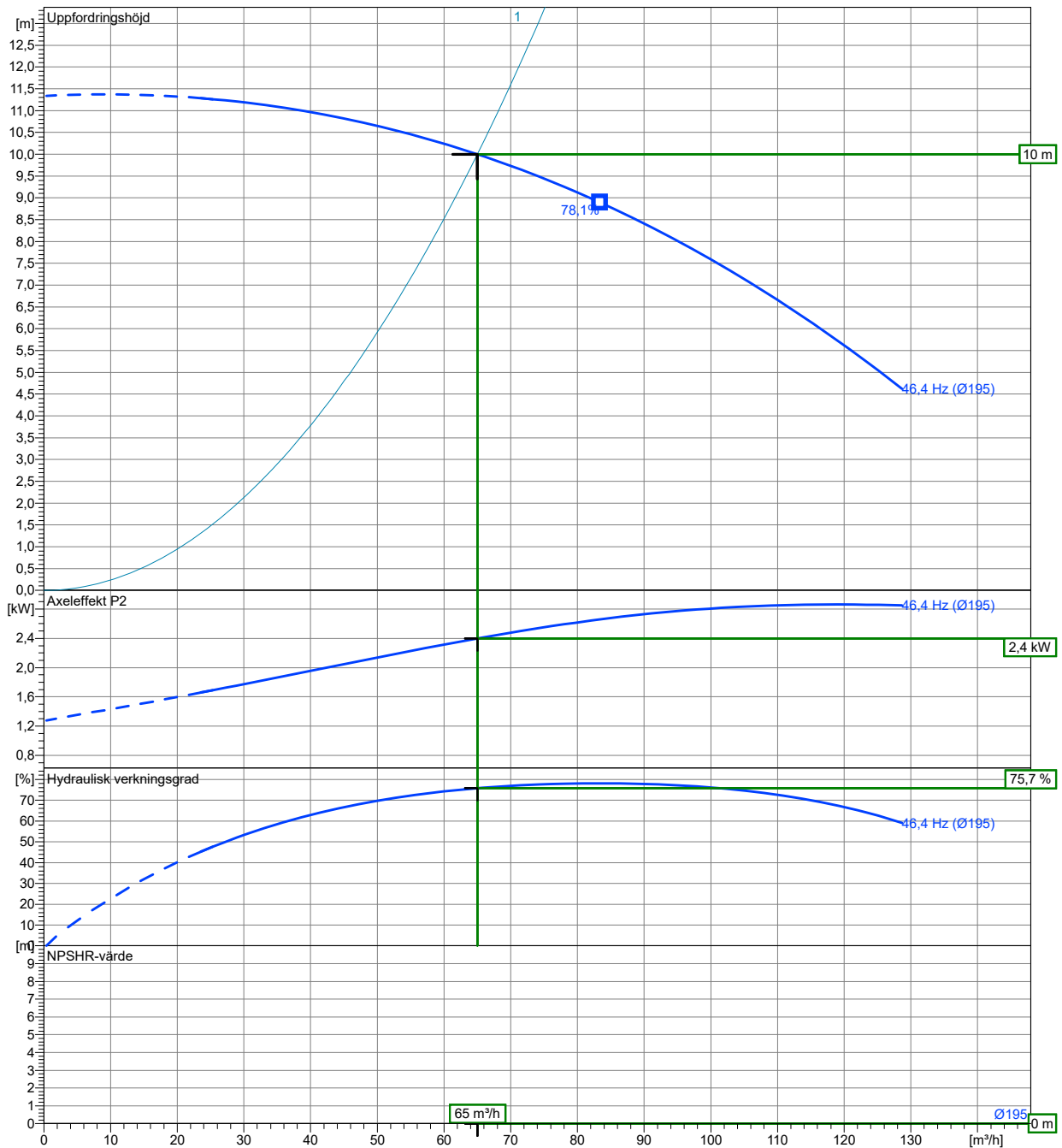
Power data referred to:

hydr. Performance acceptance acc. To EN ISO 9906 Class

Grade 3B

Vatten, Glykol 52% [100%]; 105°C; 1030kg/m³; 0,352mm²/s

MEI: N.A. - according to Ecodesign Directive 2009/125/EC and Regulation (EU) No.547/2012



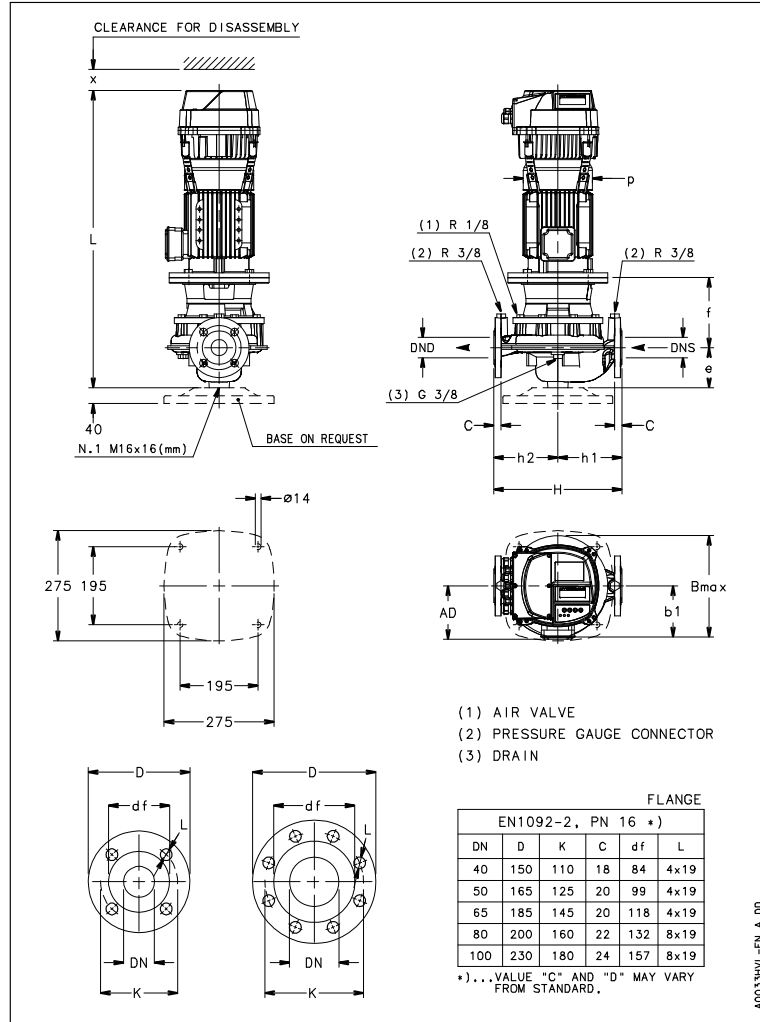
# LNESH100-200/40/P45VCC4/4

## Dimensions

Company name  
Kontakt  
Phone number  
e-mail address

Rigid coupling  
4 poles motor  
PLM 112 B5 4 kW

Electrical and dimensional data refer to IE3 motor



### Dimensions [ mm ]

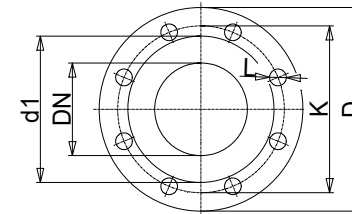
AD	168
b1	201
Bmax	371
DNd	100
DNs	100
e	175
f	183
H	550
h1	300
h2	250
L	910
p	214
x	152

### Weight

Total weight	127,6 kg
--------------	----------

### Connections

Suction nozzle		Discharge nozzle	
DN 100		DN 100	
PN 16		PN 16	
EN1092-2		EN1092-2	
C	24	C	24
D	230	D	230
df	157	df	157
DN	100	DN	100
K	180	K	180
L	8 x 19	L	8 x 19



### Dimensions and weight without obligation

Projekt  
Block Block 1: LNESH100-200/40/P45VCC4/4

Framställd av  
Skapad den 2024-02-22

Senast uppdatera

**Electric data**

Company name  
Kontakt  
Phone number  
e-mail address

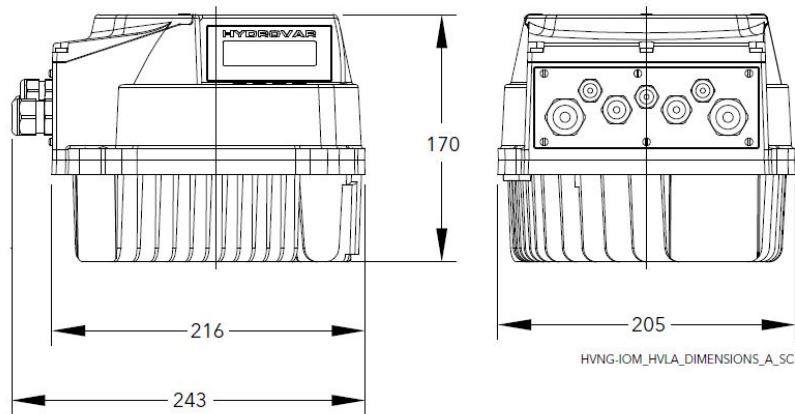
**Produktbeskrivning**

Model Type:	4.040
Rated output:	4 kW
Nominal input voltage:	380-460±15%
Max Input current:	10,1 A 3~
Efficiency Rated typical:	96.5 %
Output Voltage:	0-100% of supply voltage
Max output current:	10 A
Output Frequency:	15-70 (Hz)
Model Size:	A
Weight:	5,6 kg



**Dimensions**

[ mm ]



**Dimensions and weight without obligation**

<b>Projekt Block</b>	<b>Block 1: LNESH100-200/40/P45VCC4/4</b>	<b>Framställd av Skapad den</b>	<b>2024-02-22</b>	<b>Senast uppdater</b>	<b>Sida 5 / 5</b>
Programversion	Dataversion	User group(s)			
72.0 - 2024-02-20 (Build 175)	2024-01-30 14:24	Xylem: Sweden - INT			