

LNES 32-160/07/S25RCS4

Tekniska data

Company name
Kontakt
Phone number
e-mail address

Operating data					
1	Pumpe type	Enkelpump		Fluid	Vatten, rent
2	Antal pumpar	1		Operating temperature t A	°C 4
3	Nominal flow	m ³ /h	9	Max / Min Operating Temperature mech. Seal	°C 120 / -25
4	Nominal head	m	10	pH-value at t A	7
5	Static head	m	0	Density at t A	kg/m ³ 1000
6	Inlet pressure	kPa	0	Kin. viscosity at t A	mm ² /s 1.569
7	Omgivningstemperatur	°C	20	Vapor pressure at t A	kPa 100
8	Available system NPSH	m	0	Altitude	0

Pump data					
9	Smörjning				
10	Execution				
11	Konstruktion	Stående			Impeller Ø
12	Driftvarvtal	2900 1/min	Antal steg	1	Max. mm 156
13	Suction nozzle	DN 32 /	PN 16 /	EN1092-2	designed mm 104
14	Discharge nozzle	DN 32 /	PN 16 /	EN1092-2	Min. mm 92
15	Max. casing pressure	kPa			Nominal m ³ /h 9.8
16	Max. working pressure	kPa	125.4		Max- m ³ /h 19
17	Impeller type	Radial impeller			Min- m ³ /h 2.8
18	Head H(Q=0)	m	13		Nominal m 11.7
19	Max avgiven effekt P2	kW	.7		at Qmax m 5
20	Pump weight	kg			at Qmin m 13.1
21	Total weight	kg	32.5		Shaft power kW .6
					Efficiency % 53.8
					NPSH 3% m

Materials					
22		Pump		Shaft Seal	
23	Volute Casing	Cast iron		Single mechanical seal, without shaft sleeve	
24	Casing Cover	Cast iron		eMG12 - Ø14mm	BQ7EGG-WA
25	Impeller	Stainless steel / AISI 316L		Mechanical seal diameter	14 mm
26	Stub shaft	Stainless steel / AISI 316L		1. Rotating ring	Carbon graphite resin impregnated
27	Wear ring	Stainless steel / AISI 304		2. Stationary ring	SiC, silicon carbide, sintered press. less
28	Impeller lock nut and washer	Stainless steel / AISI 304		3. Secondary seal	Ethylene propylene rubber (EPDM)
29	Impeller key	Stainless steel / AISI 316L		4. Springs	CrNiMo - Steel
30	Fill and drain plugs	Nickel-plated brass		5. Others	EPDM - WRAS
31				Gaskets of the pump	Ethylene propylene rubber (EPDM)
32					
33					
34					
35					
36					
37					
38					
39					
40					
41					

Motor data				
42	Manufacturer	Lowara		
43	Utförande	IE3 3ph Flange Motor - Premium Efficiency		
44	Type	SM 80 B5 0,75 kW		
45	Axeleffekt	0.75 kW	Märkström	1.7 A
46	Nominellt varvtal	2875 1/min	Rated voltage	400 V
47	Storlek	80	Service faktor	1
48	Vikt	kg 9.6	Skyddsgrad	IP55

Remarks				
49				
50				
50				
52				

LNES 32-160/07/S25RCS4

Performance curve

Company name
Kontakt
Phone number
e-mail address

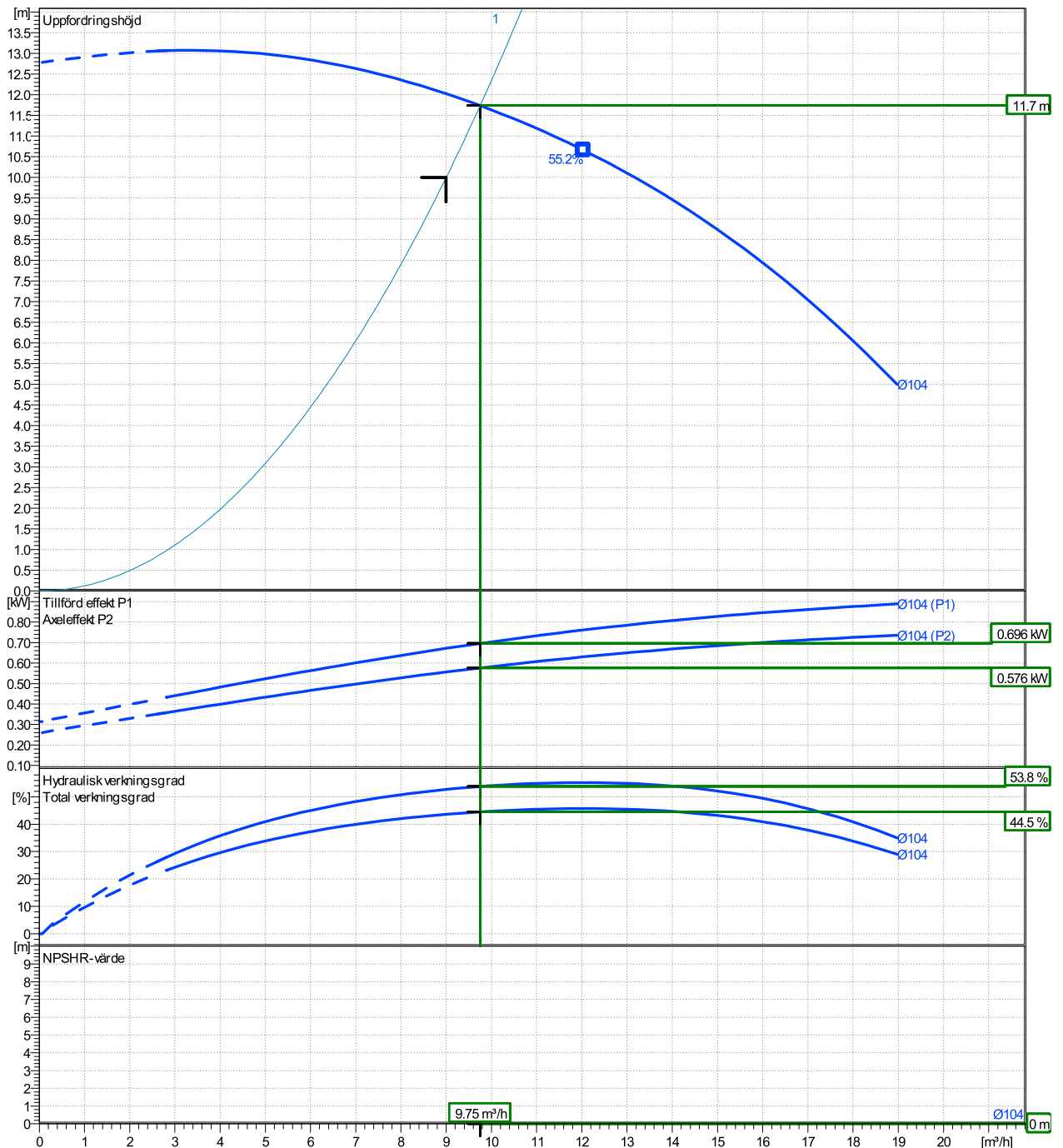
	Ø mm	Pump capacity Operating range η			Pump head H(Q=0) η		Shaft power P2 P2(Q=0) η			Frequency	Hz	50
		Min. m³/h	Max. m³/h	Max. m³/h	m	Max. m	kW	Max. kW	Max. kW	Driftvarvtal 1/min	2900	
actual	104	2.81	19	12	12.8	10.7	0.736	0.63	Nominal flow	m³/h	9	
Min.	0	/	/	10.9	10.4	8.88	/	0.491	Nominal head	m	10	
Max.	156	/	/	20.9	35.9	30.5	/	2.64	Inlet pressure	kPa	0	
									Static head	m	0	

Power datas referred to:

hydr. Performance acceptance acc. To EN ISO 9906 Class Grade 3B

Vatten, rent [100%]; 4°C; 1000kg/m³; 1.57mm²/s

MEI: N.A - according to Ecodesign Directive 2009/125/EC and Regulation (EU) No.547/2012



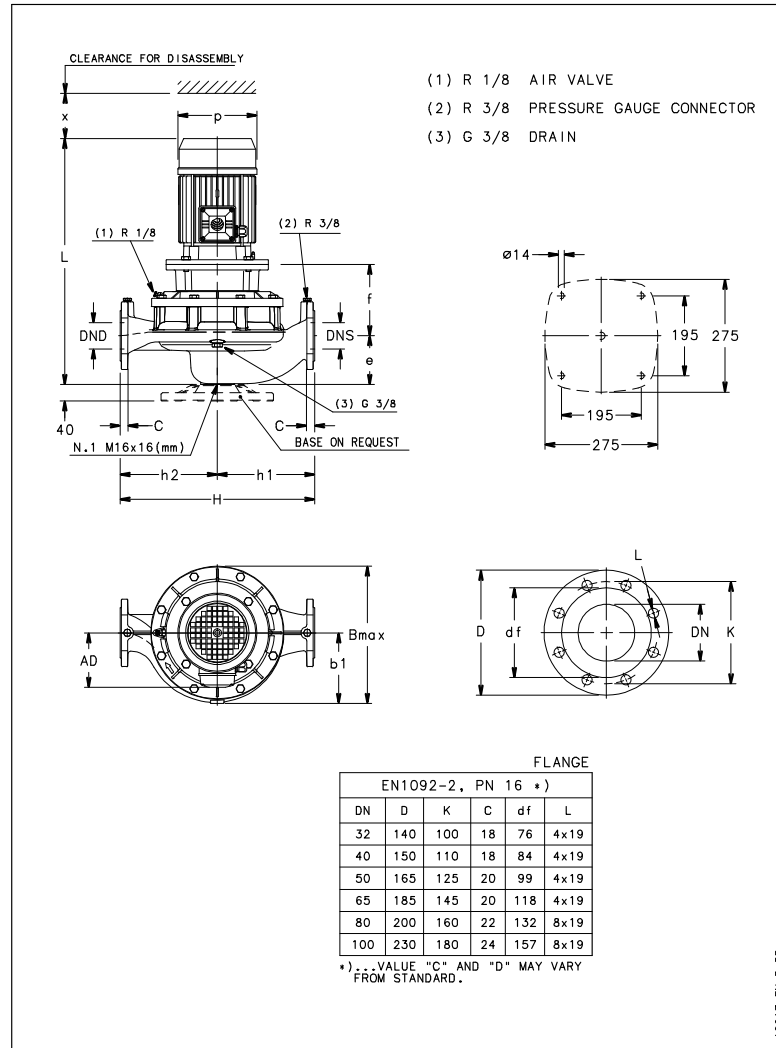
LNES 32-160/07/S25RCS4

Dimensions

Company name
Kontakt
Phone number
e-mail address

Rigid coupling

SM 80 B5 0,75 kW



Dimensions [mm]

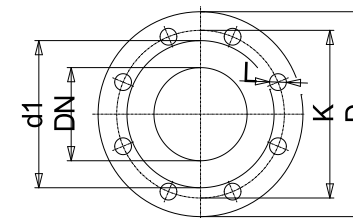
AD	139
b1	123
Bmax	249
DNd	32
DNs	32
e	90
f	155
H	320
h1	160
h2	160
L	508
p	155
x	75

Weight

Total weight	32.5 kg
--------------	---------

Connections

Suction nozzle		Discharge nozzle	
DN 32		DN 32	
PN 16		PN 16	
EN1092-2		EN1092-2	
C	18	C	18
D	140	D	140
df	76	df	76
DN	32	DN	32
K	100	K	100
L	4 x 19	L	4 x 19



Value C, D may vary from Standard

Dimensions and weight without obligation

Projekt Xlect-21880272
Block LNES 32-160/07A/S25RCS4

Framställd av BennyPersson
Skapad den 2/21/2024

Senast uppdaterad 2/21/2024